



**SANITARY CONTROL**  
VALVES & REGULATORS

**www.cashco.com**  
*Innovative Solutions*

## Get Consistent Quality

By involving every employee in our ISO 9001:2008 Quality Assurance Program, you can count on the quality we provide you. We have coordinated our business systems, invested in state-of-the-art machine tools, and built an extensive component inventory so we can consistently provide cost-effective solutions and on-time delivery to meet your replacement or project requirements — regardless of size or complexity.

## Make the Right Choice

“We simply make it right” by putting your needs first. The next time you specify control valves, regulators or vapor control emission systems, or you need a replacement fast...call the supplier that makes it right. Rely on Cashco for your single-source convenience. Great service, field-proven quality, and timely delivery makes Cashco the right choice.

## Select Control Valves & Regulators FOR SPECIALIZED OR UTILITY SERVICE

We manufacture a broad line of throttling rotary and linear control valves, pressure reducing regulators, and back pressure regulators in line sizes from 1/4 inch to 10 inches and Cv ranges from .002 to 4,406. Models are available to handle slurries, cryogenic service, and corrosive fluids; to withstand high temperatures and pressures; and to maximize the reduction of fugitive emissions. Contact Cashco for complete product information.





## WE ARE CASHCO

*The Strength Of Our Organization Is Our Employees*

### COMMITMENT. QUALITY. DEDICATION.

Cashco, Inc., is a manufacturing enterprise, centrally located within the United States. Our employees use hard work, commitment, and passion to define company goals that deliver world-class products at a fair price.

At Cashco, we continue to innovate our products until they are recognized as best in class within their respective industry. If the customer is not satisfied, we take it upon ourselves to make it right. Cashco employees are the bloodline of our company elevating products above industry standards for performance, dependability, and safety.

*At Cashco, the strength of our organization is our employees.*

## TABLE OF CONTENTS

### *Sanitary Reducing Regulators*

Model C-CS.....	5
Model C-PRV.....	5
CA1/SA1.....	6
CA4/SA4.....	6
Model 5381.....	6
Model P1.....	6
Model P2.....	7
Model P3.....	7
Model P4.....	7
Model P5.....	7
Model PA1/PL1.....	8

### *Sanitary Back Pressure Regulators*

Model C-BPV.....	8
Model 3171.....	8
Model CA5/SA5.....	9
Model BA1/BL1.....	9
Model B2.....	9

### *Sanitary Control Valves*

Model SCV-30.....	10
Model SCV-S.....	10

### *Controllers*

Model 764P-37.....	10
--------------------	----

### *Sanitary Blanketing Valve*

Model 1088.....	11
Model 1088-BP.....	11



**At Cashco we have been creating innovative pressure control solutions** to meet the needs of American industry since 1914. Today you'll find the Cashco name on an extensive line of self-contained regulators, control valves, and vapor control systems.

**Cashco regulators, control valves and vapor control systems** are in use worldwide, covering a wide range of applications. We believe our quality is surpassed only by the service we provide to ensure you get the product you need — when you need it.

When you contact Cashco or our representatives, you will discover the care we take to help you specify the best valve for your application and the speed with which we handle your order — large or small.

**If you don't find what you're looking for** in the following pages, we will be glad to provide you with personal assistance and technical literature. Please call 785.472.4461 or email us at: [sales@cashco.com](mailto:sales@cashco.com). You may also review our entire product offering at [www.cashco.com](http://www.cashco.com).

## MODEL // C REGULATORS

Cashco Model C Regulators were among the first self-contained regulators to meet pharmaceutical and food industry standards for sanitary liquid, gas, and clean steam service. Superior materials and construction keep them at the top of their class — saving time, maintenance expense, and replacement costs even in the most demanding applications. They require a minimum of spare parts and less maintenance than conventional control valves.

- Easy installation
- In-line CIP/SIP
- Low maintenance
- Self-draining design
- Minimal spare parts
- Superior performance and durability

### MODEL // C-CS

The Model C-CS Self-Contained Pressure Reducing Regulator is designed primarily for steam control in sanitary piping systems. It can also be used for clean gas and liquid applications. Body, diaphragm, stem, and plug are all 316L SST. The unit has a maximum inlet pressure of 150 psig and can maintain outlet pressure between 10 and 75 psig. Special units are available for use under intermittent vacuum conditions.



**Body sizes:**

3/4", 1", 1-1/2", 2", 3"

**Body materials:**

1" Investment Cast 316L SST,  
1"-3" Barstock 316L SST

**Trim:**

316L SST

**Pressure:**

Inlet to 150 psig, Outlet to 75 psig

**Temperature:**

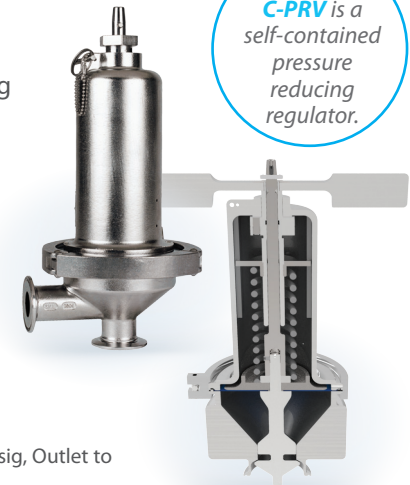
To 366° F

**Capacity:**

To 27 Cv

### MODEL // C-PRV

The Model C-PRV Self-Contained Pressure Reducing Regulator is designed for liquid or gaseous fluids used in sanitary biotech process piping. It can handle a maximum 175 psig inlet pressure and can maintain outlet pressures from 2 to 125 psig. The patented Model C lock-open feature allows CIP with cleaning solution up to 50 psig and SIP up to 20 psig. Optional diaphragms are made from FDA-approved materials. Model C-PRV is 3A-approved.



**Body sizes:**

1", 1-1/2", 2", 3"

**Body materials:**

1" Investment Cast 316L SST,  
1"-3" Barstock 316L SST

**Trim:**

Diaphragm - EPDM, FK, FKM or Gylon  
Stem and plug, 316L SST

**Pressure:**

Inlet to 175 psig, Outlet to  
125 psig

**Temperature:**

To 353° F

**Capacity:**

To 27 Cv



MODEL // CA1/SA1

Models CA1 and SA1 are high performance spring-operated, flow-to-open pressure reducing regulators with internal pressure balancing piston-cylinder that provides medium flow capacity and high pressure drop capability.

**Body sizes:**

3/4", 1", 1-1/2", 2"

**Body materials:**

IC - ASTM A351, Gr. CF3M  
BS - ASTM A479, Tp. 316L

**Trim:**

316L SST

**Pressure:**

Inlet to 3000 psig,  
Outlet 5 - 300 psig

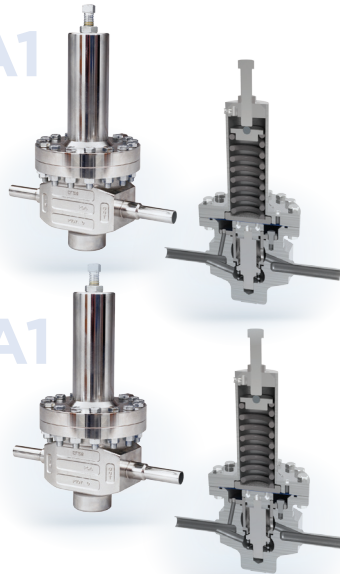
**Temperature:**

-20 to 400° F

**Capacity:**

To 18 Cv

CA1



SA1

MODEL // CA4/SA4

Models CA4/SA4 are dome loaded pressure reducing regulators used for "electronic grade" and other ultra high purity fluids.

**Body sizes:**

3/4", 1", 1-1/2", 2"

**Body materials:**

IC-ASTM A351, CR CF3M  
BS-ASTM A479, Tp 316L

**Trim:**

316L SST

**Pressure:**

Inlet to 3000,  
Outlet 5-300 psig

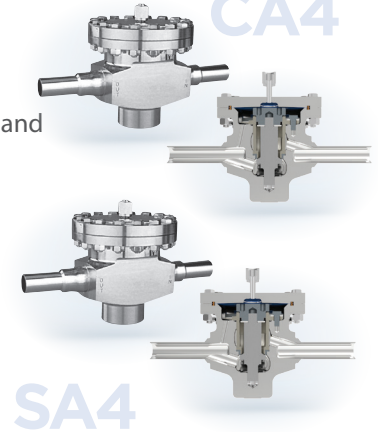
**Temperature:**

-20 to 400° F

**Capacity:**

To 18 Cv

CA4



SA4

MODEL // 5381

Model 5381 Pressure Reducing Regulator is ideally suited for clean gas, clean liquid, and clean steam applications. It can handle inlet pressures up to 600 psig and maintain outlet pressure from 5 to 200 psig.

To minimize sanitation problems associated with porosity and welds, Model 5381 is machined from 316L SST barstock, polished to a 32 micro-inch Ra finish internally, and electro-polished.

**Body size:**

1/2"

**Body material:**

316L SST barstock

**Trim:**

Diaphragm - 302 SST or EPDM  
Seat - 316 SST or TFE

**Pressure:**

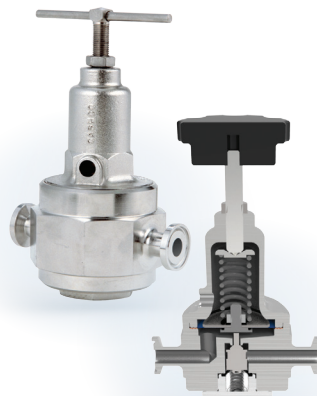
Inlet to 600 psig, Outlet to 200 psig

**Temperature:**

To 400° F

**Capacity:**

To 0.5 Cv



The Model 5381 is a pressure reducing regulator.

MODEL // P1

The Model P1 is designed for gases and liquids with inlet pressures up to 3600 psig (248 Barg). Standard adjustable outlet ranges from 1-10 psig (.07-.69 Barg) thru 10-750 psig (.69-51.7 Barg). Flow coefficient of 0.02, 0.06, and 0.20 available. This versatile point of use regulator can be ordered with a variety of options to meet your system demands. Standard construction includes a 40 micron integral filter, adjustment knob, and diffusion resistant stainless steel diaphragm.

**Body sizes:**

1/4", 3/8", 1/2"

**Maximum Cv:**

.02, .06 and .20

**Materials:**

Body/Spring chamber 316L SST/316L SST  
Brass/6061 AL

**End connections:**

FNPT, Tube End, Tri-Clamp

**Temperature range:**

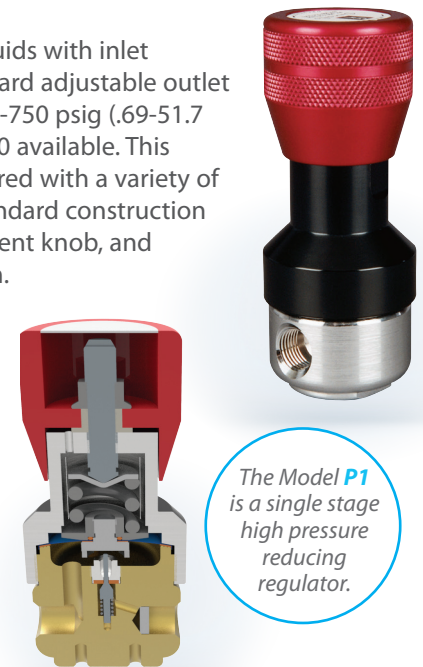
-45° to 575° F (-42.7 to 301 C)

**Pressures:**

Max Inlet: 3,600 psig (248.2 Barg)  
Max Outlet: 1-750 psig (.07-51.7 Barg)

**Options:**

Relief Valve



The Model P1 is a single stage high pressure reducing regulator.

## MODEL // P2

The Model P2 is designed for gases with inlet pressures up to 3600 psig (248 Barg). Standard adjustable outlet ranges from 1-10 psig (.07-.69 Barg) through 5-500 psig (.69-51.7 Barg). Flow coefficient of 0.02, 0.06, and 0.20 available. This versatile cylinder gas regulator can be ordered with a variety of options to meet your system demands. Standard construction includes a 40 micron integral filter, adjustment knob, and diffusion resistant stainless steel diaphragm. Gauges and CGA fittings are optional.

**Body size:**

1/4", 3/8", 1/2"

**Maximum Cv:**

.02, .06 and .20

**Materials:**

Body/Spring chamber  
316L SST/316L SST  
Brass/6061 AL

**End connections:**

FNPT  
CGA End Connection

**Temperature range:**

-45° to 575° F (-42.7 to 301 C)

**Pressures:**

Max Inlet: 3,600 psig (248.2 Barg)  
Max Outlet: 1-750 psig (.07-51.7 Barg)

**Options:**

Packed Valve, Diaphragm Valve



The Model P2 is a single stage cylinder gas high pressure reducing regulator.

## MODEL // P3

The Model P3 is designed for gases with inlet pressures up to 3600 psig (248 Barg). Standard adjustable outlet ranges from 1-10 (.07-.69 Barg) thru 5-500 psig (.34-34.5 Barg). Flow coefficient of 0.02, 0.06, and 0.20 available. This versatile cylinder gas regulator can be ordered with a variety of options to meet your system demands. Standard construction includes a 40 micron integral filter, adjustment knob, and diffusion resistant stainless steel diaphragm. Gauges and CGA fitting are optional.

**Body size:**

1/4", 3/8", 1/2"

**Maximum Cv:**

.02, .06 and .20

**Materials:**

Body/Spring chamber  
316L SST/316L SST  
Brass/6061 AL

**End connections:**

FNPT  
CGA End Connection

**Temperature range:**

-45° to 575° F (-42.7 to 301 C)

**Pressures:**

Max Inlet: 3,600 psig (248.2 Barg)  
Max Outlet: 1-500 psig (.07-34.5 Barg)

**Options:**

Packed Valve, Diaphragm Valve



The Model P3 is a two stage cylinder gas high pressure reducing regulator.

## MODEL // P4

The Model P4 is designed for gases with inlet pressures up to 3600 psig (248 Barg). Standard adjustable outlet ranges from 1-10 psig (.07-.69 Barg) through 5-500 psig, (.34-34.4 Barg). Flow coefficient of .6 Cv available. This versatile point of use regulator can be ordered with a variety of options to meet your system demands. Standard construction includes a 40 micron integral filter, adjustment knob, and diffusion resistant stainless steel diaphragm.

**Body sizes:**

3/8", 1/2"

**Maximum Cv:**

.6

**Materials:**

Body/Spring chamber 316L SST/316L SST  
Brass/6061 AL

**End connections:**

FNPT, Tube End, Tri-Clamp

**Temperature range:**

-45° to 275° F (-42.7° to 135° C)

**Pressures:**

Max Inlet: 3,600 psig (248.2 Barg)  
Max Outlet: 5-500 psig (.34-34.4 Barg)

**Options:**

Relief Valve

The Model P4 is a balanced pressure reducing regulator.



## MODEL // P5

The Model P5 is a piston designed regulator for gases and liquids with inlet pressures up to 3600 psig (248 Barg). Standard adjustable outlet ranges from 50-1500 psig (3.4-103 Barg). Flow coefficient of 0.06. This general purpose use regulator can be ordered with a variety of options to meet your system demands. Standard construction includes a 40 micron integral filter, adjustment knob, and diffusion resistant stainless steel diaphragm.

**Body size:**

1/4", 3/8", 1/2"

**Maximum Cv:**

.06

**Materials:**

Body/Spring chamber 316L SST/316L SST

**End connections:**

NPT

**Temperature range:**

-55° to 300° F (-48° to 149° C)

**Pressures:**

Max Inlet: 3,600 psig (248.2 Barg)  
Max Outlet: 50-1,500 psig (3.4-103 Barg)

**Options:**

Mounting Bracket, Panel Mount



MODEL // PA1/PL1

The Models PA1 and PL1 are stainless steel pressure reducing regulators designed to handle small to mid-capacity flow rates in sanitary biotechnical process piping systems.



**Body sizes:**  
1/2", 3/4" Angle pattern  
**Body material:**  
316L SST barstock  
**Trim:**  
Seat-316L SST, TFE,  
RULON 641  
Diaphragm-EPDM, Gylon  
**Pressure:**  
Inlet to 400 psig  
Outlet to 140 psig  
**Temperature:**  
-20° to 275° F  
**Capacity:**  
CV 1.41

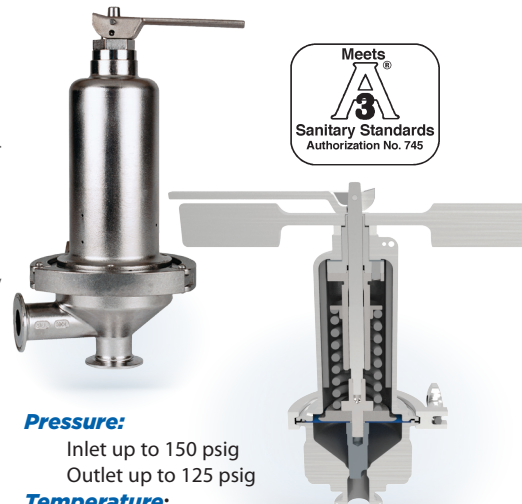


**Body sizes:**  
1/2", 3/4", In-line pattern  
**Body material:**  
316L SST barstock  
**Trim:**  
Seat-316L SST, TFE,  
RULON 641  
Diaphragm-EPDM, Gylon  
**Pressure:**  
Inlet to 400 psig  
Outlet to 140 psig  
**Temperature:**  
-20° to 275° F  
**Capacity:**  
CV 1.21

// BACK PRESSURE REGULATORS

MODEL // C-BPV

The Model C-BPV controls inlet pressures in liquid and gaseous (non-steam) applications. Its range of set pressures is from 2 to 125 psig, and its maximum operating temperature is 300° F. Optional diaphragms, plugs, and stems are made from FDA-approved materials. Model C-BPV is also 3A-approved.



**Body sizes:**  
3/4", 1", 1-1/2", 2", 3"  
**Body materials:**  
1" Investment Cast 316L SST  
3/4"-3" Barstock 316L SST  
**Trim:**  
Diaphragm-EPDM, FKM, Silicone or Gylon  
Stem and plug, 316L SST

**Pressure:**  
Inlet up to 150 psig  
Outlet up to 125 psig  
**Temperature:**  
To 300° F  
**Capacity:**  
To 27 Cv

MODEL // 3171

Model 3171 is designed to handle low to mid-range flow rates. It can control inlet pressure to set point levels between 5 and 200 psig. Stainless steel body construction from 316 barstock virtually eliminates porosity and corrosion.



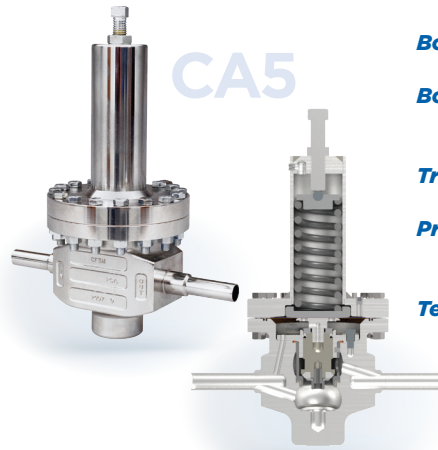
**Body size:**  
1/2"  
**Body material:**  
316 SST barstock  
**Trim:**  
Diaphragm-302 SST or EPDM  
Seat-316 SST or TFE

**Pressure:**  
Inlet to 240 psig  
Outlet to 200 psig  
**Temperature:**  
To 400° F  
**Capacity:**  
To 0.3 Cv



MODEL // CA5/SA5

Models CA5 and SA5 are high performance spring-operated, flow-to-open back pressure regulators with an internal pressure balancing piston-cylinder that provides medium flow capacity and high pressure drop capability.



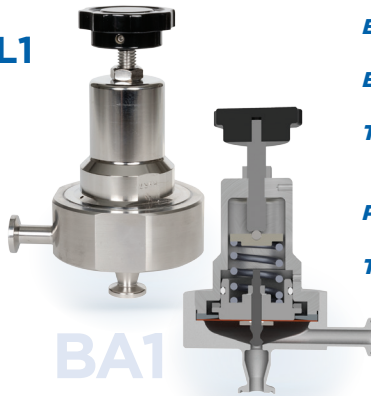
**Body sizes:**  
3/4", 1"  
**Body material:**  
IC - ASTM A351, Gr. CF3M  
BS - ASTM A479, Tp. 316L  
**Trim:**  
316L SST  
**Pressure:**  
Inlet to 600 psig  
Outlet 5 - 300 psig  
**Temperature:**  
-20° to 400° F



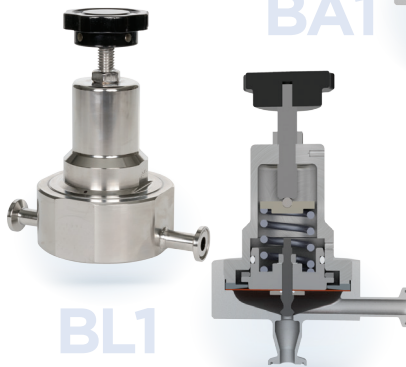
**Body sizes:**  
3/4", 1"  
**Body material:**  
IC - ASTM A351, Gr. CF3M  
BS - ASTM A479, Tp. 316L  
**Trim:**  
316L SST  
**Pressure:**  
Inlet to 600 psig  
Outlet 5 - 300 psig  
**Temperature:**  
-20° to 400° F

MODEL // BA1/BL1

The Models BA1 and BL1 are stainless steel back pressure relief regulators designed to handle small to mid-capacity flow rates in sanitary bio-technical process piping systems.



**Body sizes:**  
1/2", 3/4" Angle pattern  
**Body material:**  
316L SST Barstock  
**Trim:**  
Seat-316L SST  
Diaphragm-EPDM  
**Pressure:**  
Inlet and Outlet to 135 psig  
**Temperature:**  
-20 to 275F



**Body size:**  
1/2", 3/4" In-line pattern  
**Body material:**  
316L SST Barstock  
**Trim:**  
Seat-316L SST  
Diaphragm-EPDM  
**Pressure:**  
Inlet and Outlet to 135 psig  
**Temperature:**  
-20° to 275° F

MODEL // B2

The Model B2 is a back pressure regulator designed for gases and liquids with control ranges up to 750 psig (51.7 Barg). Flow coefficient of 0.10, 0.20, and 0.30 are available. This versatile back pressure regulator can be ordered with a variety of options to meet your system demands. Standard construction includes an adjustment knob and diffusion resistant stainless steel diaphragm.



**Body sizes:**  
1/4", 3/8", 1/2"  
**Maximum Cv:**  
0.1, 0.2 and 0.3  
**Materials:**  
Body/Spring chamber 316L SST/316L SST  
Brass/6061 AL

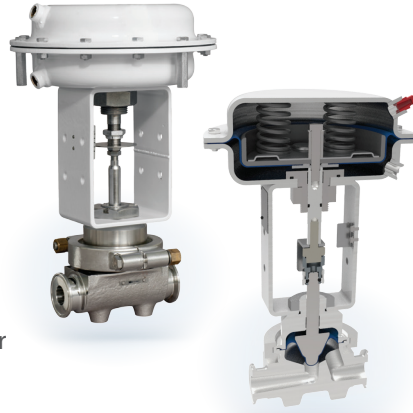
**End connections:**  
FNPT, Tube End, Tri-Clamp  
**Temperature range:**  
-45° to 575° F (-42.7° to 301° C)  
**Set pressures:**  
Springs for 1-750 psig (.07-51.7 Barg)

The Model B2 is a high pressure back pressure regulator.

## MODEL // SCV-30

The Model SCV-30 is a sanitary globe or angle style control valve for throttling or on/off service. The Model SCV-S also includes on/off steam service.

The Model SCV-30 body offers pressures to 60 psig. It utilizes a cost effective single-spring actuator designed for fail open or fail-closed valve action. Accessories include pneumatic or electro-pneumatic positioners.



**Body sizes:**

3/4", 1", 1-1/2"

**Body form:**

Straight-thru globe and angle body

**Body material:**

Forged 316L SST

**Trim:**

316L SST

**Pressure:**

-7.5 psig to 60 psig

**Temperature:**

To 300° F

**Capacity:**

To 11.7 Cv

**Rangeability:**

30:1

**Actuator:**

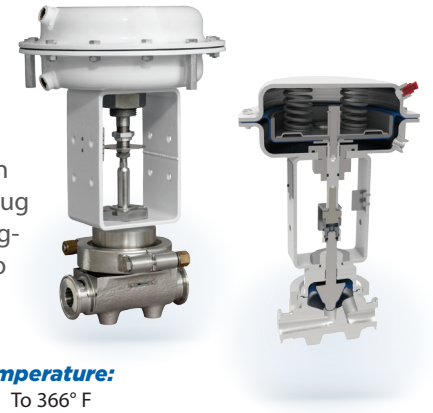
Spring-diaphragm type; field reversible action

**Valve action:**

Fail open or fail closed

## MODEL // SCV-S

Model SCV-S is a throttling pneumatically actuated control valve designed primarily for clean steam service. It can also be used in liquid and gas applications. The body and plug are 316L SST. Model SCV-S utilizes two spring-energized stem seals to prevent leakage into the atmosphere.



**Body sizes:**

3/4", 1", 1-1/2"

**Body form:**

Straight-thru globe and angle body

**Body material:**

Forged 316L SST

**Trim:**

316L SST

**Pressure:**

Full vacuum to + 150 psig

**Temperature:**

To 366° F

**Capacity:**

To 13.5 Cv

**Rangeability:**

30:1

**Actuator:**

Spring-diaphragm type; field reversible action

**Valve action:**

Fail open or fail closed

## // CONTROLLERS

### MODEL // 764P-37

The Model 764P-37 is a sanitary pressure controller for measuring controlled pressure. The Model 764P-37 Controller includes a SST sensing head with a 1" Tri-Clamp® process connection. It is designed for use in clean steam and other sanitary biotechnological process piping systems. The Model 764P-37 measures the controlled pressure and develops a pneumatic output signal that varies linearly as the controlled pressure changes. It controls process pressures between 1-30, 20-100 and 50-150 psig.



**Pressure Connection:**

1"

**Sensing Diaphragm:**

316 SST Wetted Parts

**Diaphragm Casing Materials:**

Ductile Iron-ASTM A395

SST – ASTM A479

**Temperature Range:**

-20° to 180° F

**Output Signal:**

3-15 psig

**Supply Pressure:**

18-20 psig



## // SANITARY BLANKETING VALVES

### MODEL // 1088

The Model 1088 is a spring operated blanketing valve allowing tanks to be controlled with much tighter tolerances than with standard regulators. The unit has multiple sensing configurations and body configurations in order to meet the specific needs of the end user.

**Body Size:**

1/2"

**Material:**

Body SST, Upper Case CS, SST;  
Lower Case SST; Trim 316 SST; Seat FKM,  
Buna-N, EPDM; Diaphragm TFE



**End Connections:**

NPT, 150#-Flange, Tri-Clamp

**Temperature:**

-55 to 400°F

**Outlet Pressure:**

Vacuum - 14 psig

### MODEL // 1088-BP

The Model 1088-BP is a spring operated back pressure relief regulator used to regulate upstream pressure. Compact and light weight, it is designed to control low set point pressures on small storage tank applications.

**Body Size:**

1/2"

**Material:**

Body SST, Upper Case CS, SST; Lower Case SST  
Trim 316 SST; Seat FKM, Buna-N, EPDM; Diaphragm TFE

**End Connections:**

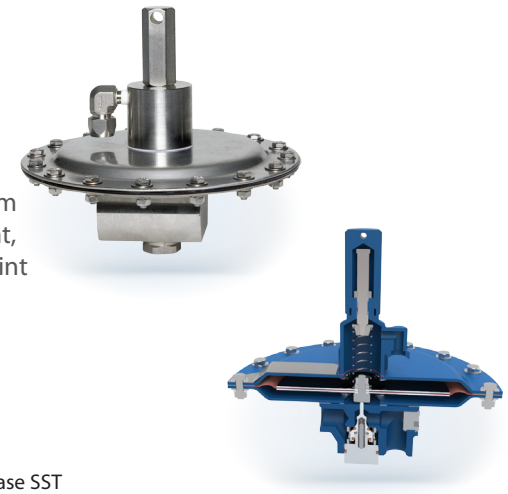
NPT, 150#-300# Flange

**Temperature:**

-55 to 400°F

**Inlet Pressure:**

Vacuum - 14 psig



Check out the other high quality product lines  
**available exclusively from Cashco.**



**Industrial Regulators**



**Vapor Control Systems**



**Control Valves**



**Cashco, Inc.**

607 West 15th Street • P.O. Box 6 • Ellsworth, Kansas 67439

Ph. (785) 472-4461 • Fax: (785) 472-3539

**www.cashco.com**  
Innovative Solutions